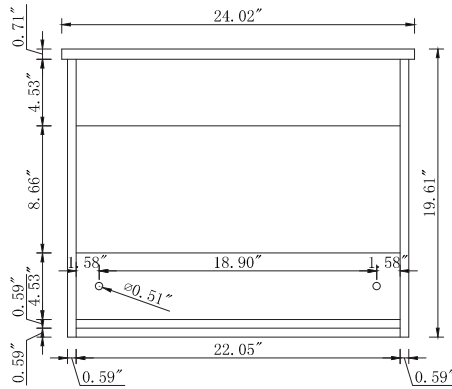
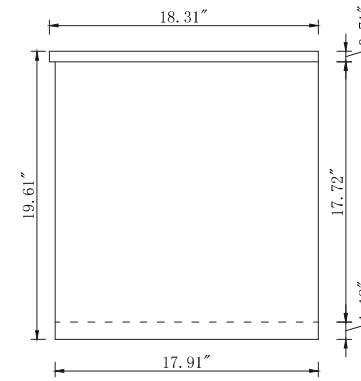


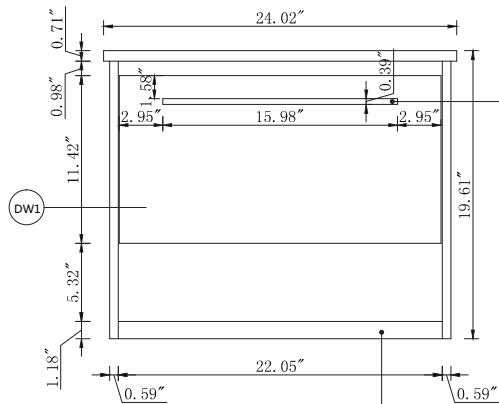
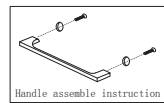
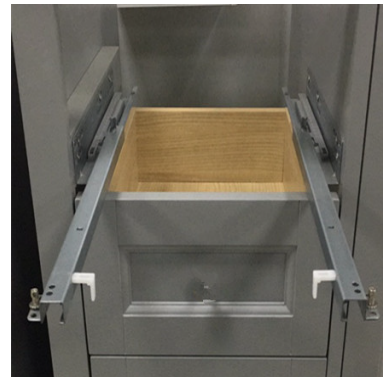
Top view



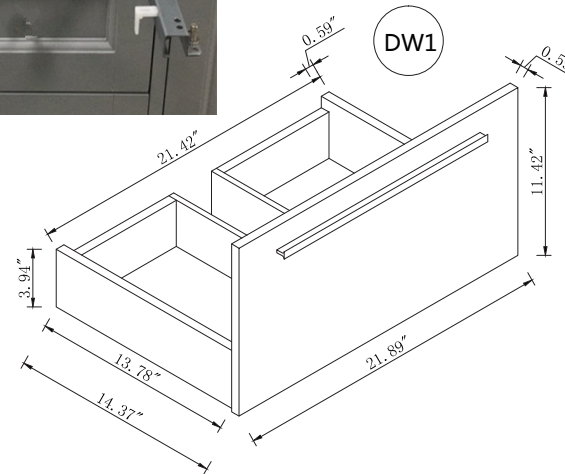
Back view



Side view



Front view



Drawer Interior Size

DWG. NO.:

MODEL NO.:

VF43524MWT

ALTERATIONS

- | | |
|---|--|
| 1 | |
| 2 | |
| 3 | |
| 4 | |

FOR PROPOSAL ONLY ALL DIMENSIONS TO BE VERIFIED

SCALE:

DWG. BY:

CHECKED BY:

DATE:

PROJECT:

Qty:

Color:

DRAWING TITLE:

FINISH:

Elegant



Decor

ELEGANT LIGHTING